

# FRESH CUP TOUCH

AUTO EJECT SINGLE SERVE POD BREWING SYSTEM



## Features

- Accepts standard travel mugs.
- One touch brew activation.
- Back to back brew cycles without reheat delays.
- Quiet brewing operation with the quiet ejection of PODs.
- Hot water dispense button for allied products.
- Easy access to spent waste and drip tray with automatic counter reset after 10 seconds removed.
- New and improved drip tray that retrofits the Fresh Cup 3 model with "pop-up" collection indicator.
- Quickly and easily remove the brewing mechanism and heating system from the cabinet for service and repair.
- Totally updated operation control system.
- USB interface for easy software updates.
- Brew pump control selectable within each recipe.
- Air pump control selectable within each recipe.
- Brew pulse time selectable within each recipe.
- New lift / carry stability support under face plate.
- New waste bin design holds 70% more pods.
- Waste bin replace time counts down on display.



## Freedom of Choice

Use our interactive touch screen with your POD to deliver one "Fresh Cup" of Coffee, Espresso, or Tea. Bring a glass of ice and brew directly into it for your iced coffee.

## Built to last

Fresh Cup was designed with the roaster/operator in mind. High quality, rugged construction that can withstand the rigors of everyday use. New modern design and appearance provides a professional look which blends well in any customer location increasing account placement.

## Perfectly Brewed Coffee

Enjoy the benefits of Fresh Cup's unmatched brewing capability. Easily develop your brewing parameters for your POD through the simple programming process of pre-infusion, pulse brewing, volume and contact time. Newco's flow meter provides precise volume accuracy cup after cup. Fresh Cup's new innovative mechanism accommodates the widest selection of PODS and makes brewing simple and intuitive.

# Auto Eject Pod Brewing System

## Plug and Play Operation

Simply connect the Fresh Cup to a water and electrical line and the initial setup routine will fill the tank and then safely turn on the heater.

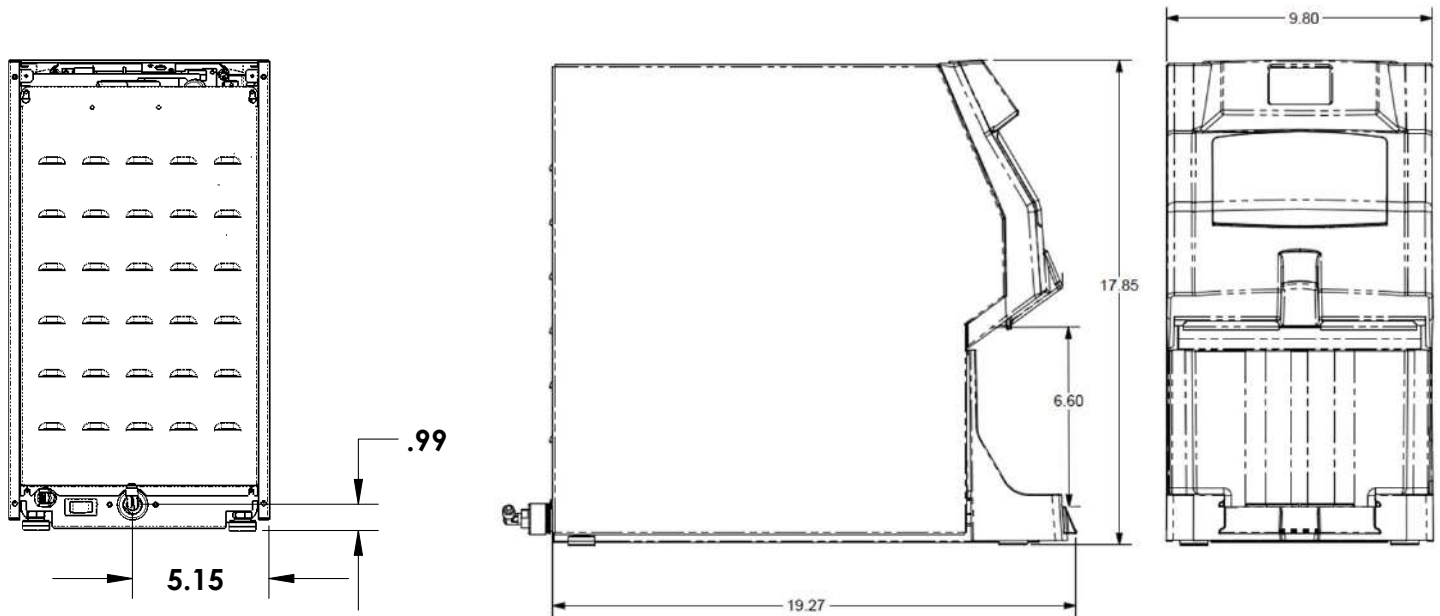
## Energy Smart

Choose from three different power modes to conserve energy during periods of non use: power on, power save and power down.

## Custom Branding

Grab that attention! Custom brand your Fresh Cup front with your logo helping you to promote your brand and services.

## Physical Dimensions



## Additional Information

### Fresh Cup provides:

- New internal shipping support bracket for improved transport stability.
- Error codes for "heads up" serviceability.
- Removable side panels for serviceability.
- Replaceable independent Newco parts.
- Quickly and easily remove the brewing mechanism and heating system from the cabinet for service and repair.

Model	Type	Part #	Width	Depth	Height	Volts	Watts	Amps	Weight
FKP-4 Touch	Universal POD	782150	9.8"	19.27"	17.85"	120 VOLT	1700W	14.2A	33 LBS
				Canadian Electrical		120 VOLT	1400W	11.6	

