

Symphony Plus™ ice and water dispenser

12 CI series countertop with Chewblet® ice machine



Shown with SensorSAFE™



Features

Narrow, 16.12" (40.9 cm) width

12 lb (5.4 kg) ice storage capacity

Integral air-cooled ice machine with up to 425 lb (193.0 kg) daily production of popular Chewblet ice

- soft, chewable, compressed nugget ice is preferred over cubes¹ and is ideal for patient care
- Quiet Night™ sleep mode turns off ice machine when idle

Designed with sanitation in mind

- automatic self-flushing of ice machine removes impurities
- drain cup provides internal air gap for added protection of food zone components from drain line contaminants
- Agion® silver-based antimicrobial provides protection of key ice and water contact components²
- one-hand lever or SensorSAFE infrared ice dispense

Dependable design, easy to service and clean

- cleaning and sanitizing of entire machine takes only 1 hour
- LED control board provides at-a-glance machine status
- panels are easily removed for accessibility to all components
- ice machine parts are common across all Symphony Plus dispensers
- stainless steel evaporator and auger deliver long life

Environmentally responsible

- meets Consortium for Energy Efficiency Tier 2 specifications
- R404a refrigerant has zero ozone depletion potential
- continuous ice making process uses less electricity and water

Durable, attractive dispenser

- frame and exterior cabinet are stainless steel with accent trim
- poly drain pan, grille and dispenser lid are corrosion-resistant

Easy installation

- comes fully assembled and installs with three easy connections – electric, water and drain

Warranty

- 3 years parts and labor, 5 years compressor parts

Accessories

- Base stand with or without factory installed filter (refer to form# 7010)
- 4.00" (10.16 cm) leg kit (item# AF10BLEGS)
- Pressurized water sanitizing kits (refer to form# 6830)
- SafeCLEAN™ environmentally responsible ice machine cleaner (item# 00132001)
- Nu-Calgon IMS-III sanitizer, 16 oz (0.5 L) bottle (item# 00979674)
- Additional filters (refer to form# 9905)
- Additional Symphony Plus accessories (refer to price list)

SensorSAFE infrared dispense



SensorSAFE not recommended for use with clear containers or for applications in direct sunlight

| Ice and water dispensers, 115 V/60 Hz | | | |
|---------------------------------------|------------|---------------------|-------------------|
| Ice storage capacity | Dispense | Ice machine cooling | Item number |
| 12 lb (5.4 kg) | Lever | air | 12CI425A-L |
| | SensorSAFE | air | 12CI425A-S |

Ice-only available, add -I
Example: 12CI425A-LI

| Ice production | | |
|---|--|--------------------|
| Temperatures air/water | 70/50 F (21/10 C) | 90/70 F (32/21 C) |
| Air-cooled | 425 lb (193.0 kg) | 325 lb (147.6 kg) |
| Energy consumption per 100 lb (45.4 kg) ice | N/A | 6.0 kWh air-cooled |
| Water consumption | 12.0 gal (45.4 L) of potable water per 100 lb (45.4 kg) of ice | |

Job

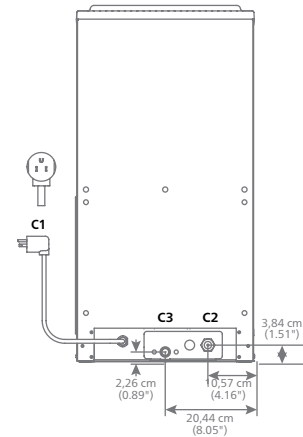
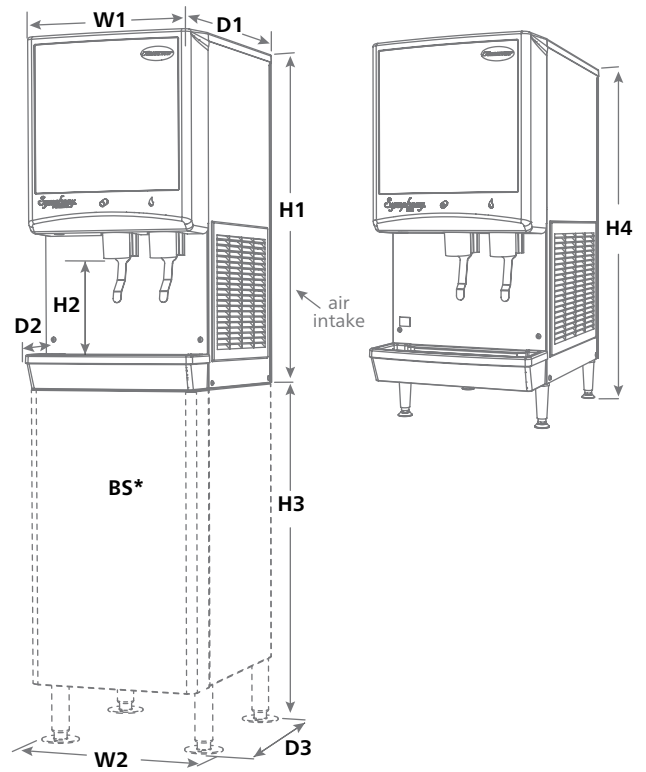
Item

Specification

| | |
|---|---|
| Ice storage capacity | 12 lb (5.4 kg) |
| W1 Width | 16.12" (40.9 cm) |
| W2 Width, base stand accessory | 17.5" (44.4 cm) |
| D1 Depth, entire dispenser | 23.50" (59.7 cm) |
| D2 Depth, drain pan | 5.50" (13.97 cm) |
| D3 Depth, base stand accessory | 22.00" (55.9 cm) |
| H1 Height, dispenser | 32.50" (82.6 cm) |
| H2 Dispense height clearance | 9.38" (23.83 cm) |
| H3 Height, base stand accessory | 33.00" (83.8 cm) |
| H4 Height, leg kit accessory | 36.64" (93.1 cm) |
| Ventilation clearance | 6.00" (15.24 cm) top and right side |
| Service clearance | 12.00" (30.5 cm) top |
| Utility connection location | through back or bottom |
| C1 115 V/60/1 electrical | 11 amps, 0.8 kW 8.5' (2.6 m) cord w/ NEMA 5-15 90° hospital-grade plug |
| C2 Potable water inlet | 3/8" FPT |
| C3 Drain | 3/4" MPT |
| Air temperature | 50 - 100 F (10 - 38 C) |
| Water temperature | 45 - 90 F (7 - 32 C) |
| Water pressure | 10 - 70 psi (69 - 483 kpa) |
| Heat rejection | 5000 BTU/hr |
| Approximate ship weight | 199 lb (90.3 kg) |
| Approximate ship weight, base stand accessory | 80 lb (36.3 kg) |
| NOTE: For indoor use only | |

SHORT FORM SPECIFICATION: (Choose one) ___ Ice and water or ___ ice-only dispenser to be Follett® automatic load in countertop configuration, with 12 lb (5.4 kg) of storage and separate ice and water chutes. Dispenser cabinet to be of stainless steel. Environmentally responsible R404a air-cooled ice machine to have 24 hour production capacity of approximately 425 lb (193.0 kg) of Chewblet compressed nugget ice at water temp. of 70 F (21 C); air temp. of 50 F (10 C). Ice machine equipped with automatic self-flushing and Quiet Night sleep mode. Dispenser to have automatic bin level control to start and stop ice machine. Storage area insulated with non-CFC, high density, foamed-in-place polyurethane. 8.5' (2.6 m) cord and NEMA 5-15 90° hospital grade plug provided. NSF and ETL listed.

Dimensional drawing



BS* – Base stand sold separately; measurements shown are with base stand legs at lowest position

Note: See dispenser detail sheet, form# 6675, for counter cutouts.

¹ Independent third party studies. Contact Follett for details.

² Disclaimer: Antimicrobial protection is limited to the treated components and does not treat water or ice.

Agion is a registered trademark of Sciescent LLC.

Symphony Plus, SensorSAFE, SafeCLEAN and Quiet Night are trademarks of Follett LLC.

Chewblet and Follett are registered trademarks of Follett LLC, registered in the US.

Follett reserves the right to change specifications at any time without obligation. Certifications may vary depending on country of origin.

12 CI series countertop